



GLOBAL VALVE
& CONTROLS

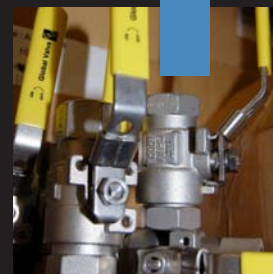


SERIES BV6000

6000PSI NACE COMPLIANT FIRESAFE DESIGN BALL VALVE

Carbon Steel ■ Stainless Steel

SERIES BV6000



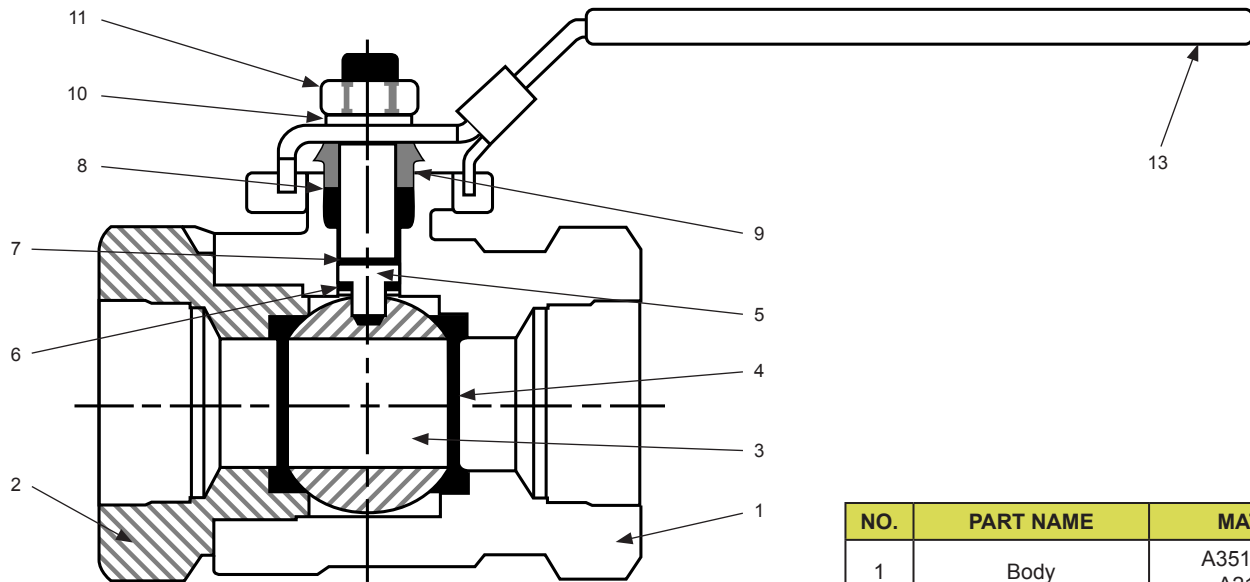
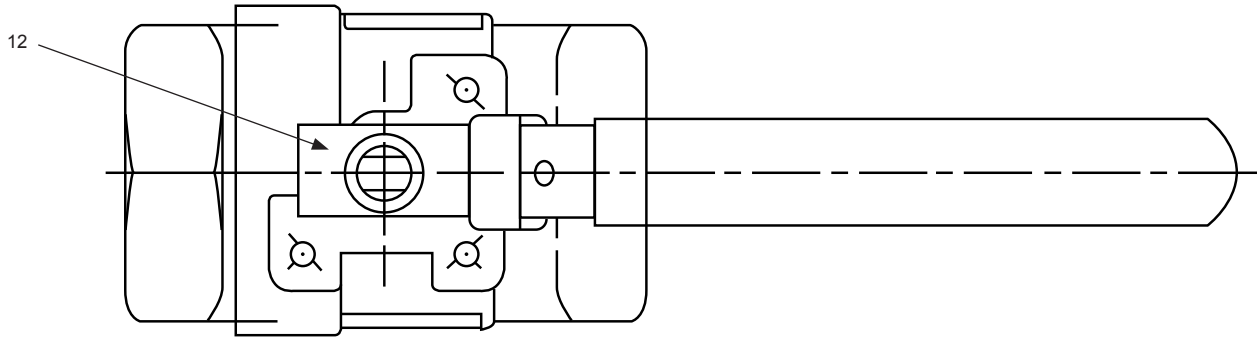
Providing Hundreds of Products. Supporting Thousands of Clients. Controlling Millions of Gallons.

Depend On Us, We Can Handle The Pressure.



MATERIALS OF CONSTRUCTION

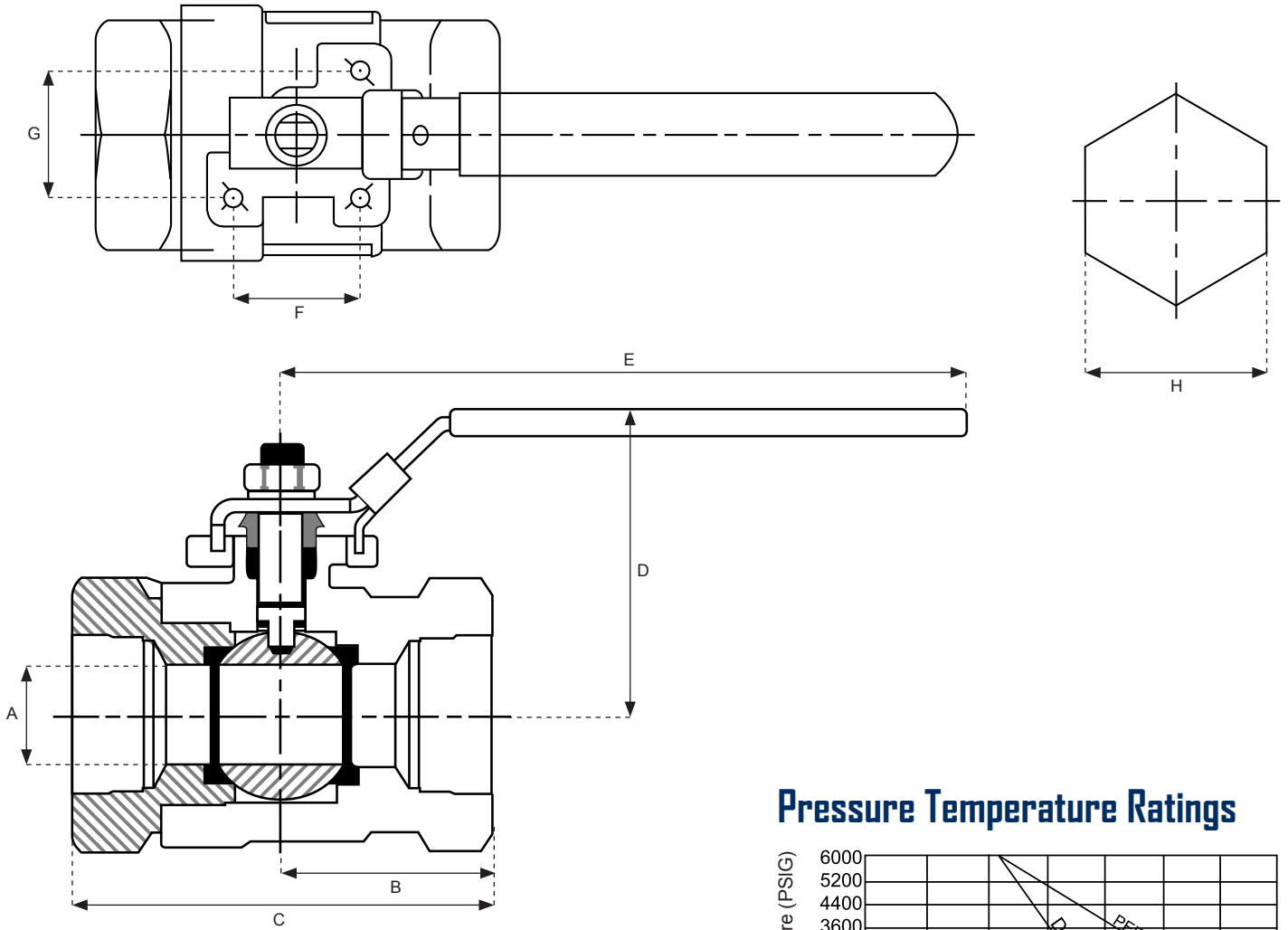
SERIES BV6000



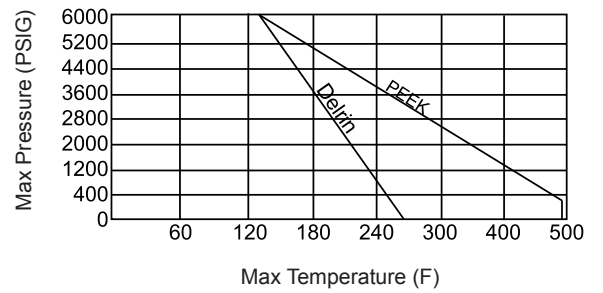
NO.	PART NAME	MATERIAL
1	Body	A351-CF8M or A216-WCB
2	Insert	A351-CF8M or A216-WCB
3	Ball	A351-CF8M
4	Seat	DELTRIN/PEEK
5	Stem	316SS
6	Thrust Washer	RTFE®
7	Stem Seal	Grafoil
8	Stem Packing	Grafoil
9	Gland Nut	304SS
10	Stem Washer	304SS
11	Stem Nut	304SS
12	Lever Handle	304SS
13	Handle Cover	Plastic

ENGINEERING DATA

SERIES BV6000



Pressure Temperature Ratings



Test Pressure	
Shell Test (Water)	9000 PSI
Seat Test (Water)	6600 PSI
Seat Test (Air)	85 PSI

SIZE	A	B	C	D	E	F	G	H	T
1/4"	0.248	1.496	2.992	2.283	4.961	1.004	1.004	1.252	1/2"-24 UNC
3/8"	0.386	1.496	3.976	2.283	4.961	1.004	1.004	1.252	
1/2"	0.500	1.969	4.050	2.283	4.961	1.004	1.004	1.252	
3/4"	0.748	2.126	4.250	2.580	5.709	1.181	1.181	1.815	1/4"-20 UNC
1"	1.000	2.244	4.528	3.550	8.150	1.398	1.398	2.252	
1 1/4"	1.252	2.382	4.764	4.100	8.150	1.398	1.398	2.756	5/16"-18 UNC
1 1/2"	1.500	2.638	5.276	4.130	10.118	1.949	1.949	3.500	
2"	1.500	3.110	6.220	4.130	10.118	1.949	1.949	3.500	

*All dimensions are in inches

FEATURES & OPTIONS

- Two piece body design
- 1/4" TO 1 1/2" full port
- 2" reduced port
- High quality investment cast stainless steel and carbon steel construction
- OSHA compliant locking stainless steel handle
- ISO 5211 actuator mounting pad
- Locking stainless steel handle
- Threaded ends to ANSI B1.20.1 (NPT)
- 6000 W.O.G (PSI) design
- Optional seal weld available
- Optional firesafe design
- MR-01-75 NACE compliant

ORDERING INFORMATION

Size	Series	Body	Trim	Seats	Seals	Ends	Options
1/4"	BV6000	1 - Carbon Steel	3 - 316SS	D - DELRIN	G - Grafoil	TE - Threaded Ends	SP/SW - Seal Weld FS - Firesafe Design
3/8"			X - Special	P - PEEK	R - Reinforced Teflon		
1/2"		3 - 316SS	X - Special			T - Teflon	
3/4"							
1"		1 1/4"					
1 1/4"							
1 1/2"							
2"							

- 2"BV600033DGTEFS

CROSS REFERENCE GUIDE

GVC	AOP
Series BV6000	B6

PLEASE NOTE: The above chart is to cross reference other manufacturer's valves comparable to the GVC BV6000. There may be some performance variations between the GVC BV6000 and the above referenced manufacturer's designs. To ensure the longevity of performance, please provide specific information relevant to the requirements needed for each application process.



Office Local 281.463.1474
 Fax Numbers 866.964.8536 ▪ 281.463.7735
 8535 Jackrabbit Rd., Ste I
 Houston, Texas 77095
www.GlobalValveandControls.com
 866.965.8GVC (482)

