



GLOBAL VALVE  
& CONTROLS



## SERIES 20-RP

### THREADED STANDARD PORT BALL VALVE

Carbon Steel ■ Stainless Steel

SERIES 20-RP



Providing Hundreds of Products. Supporting Thousands of Clients. Controlling Millions of Gallons.

Depend On Us, We Can Handle The Pressure.

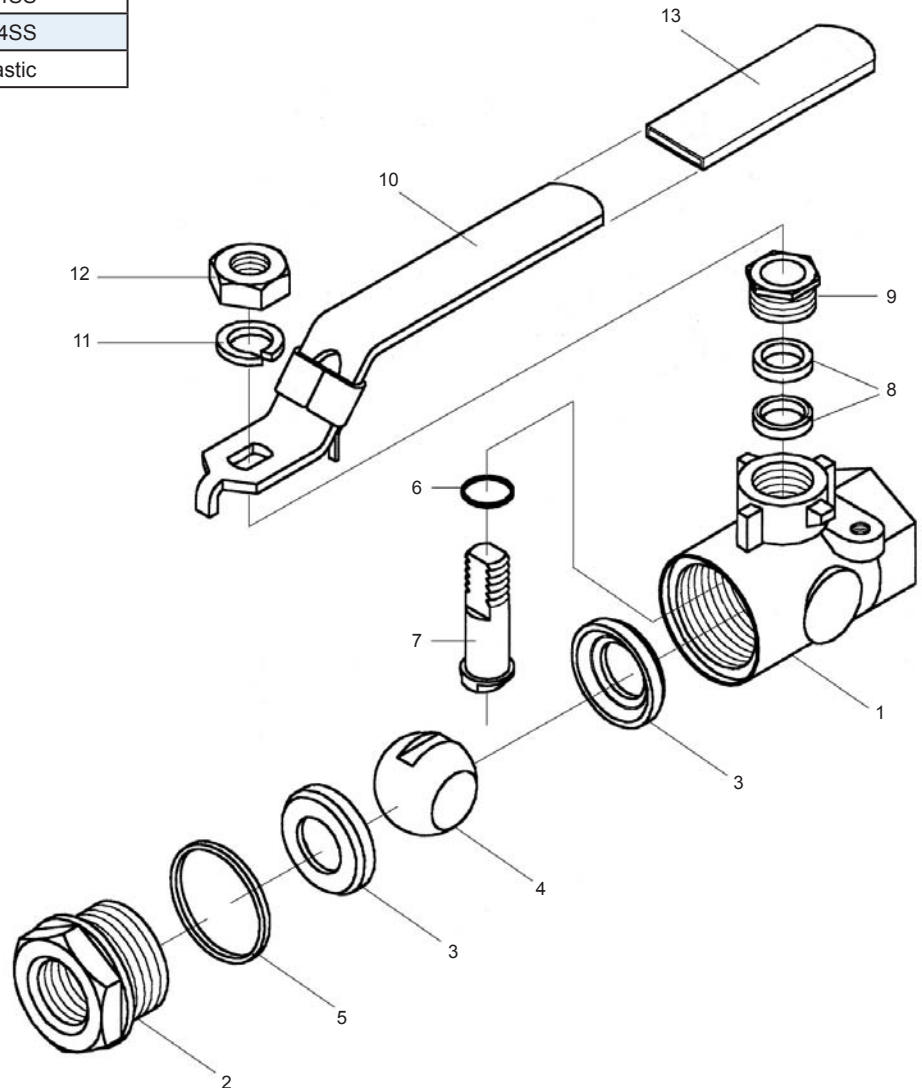


# MATERIALS OF CONSTRUCTION

## SERIES 20-RP

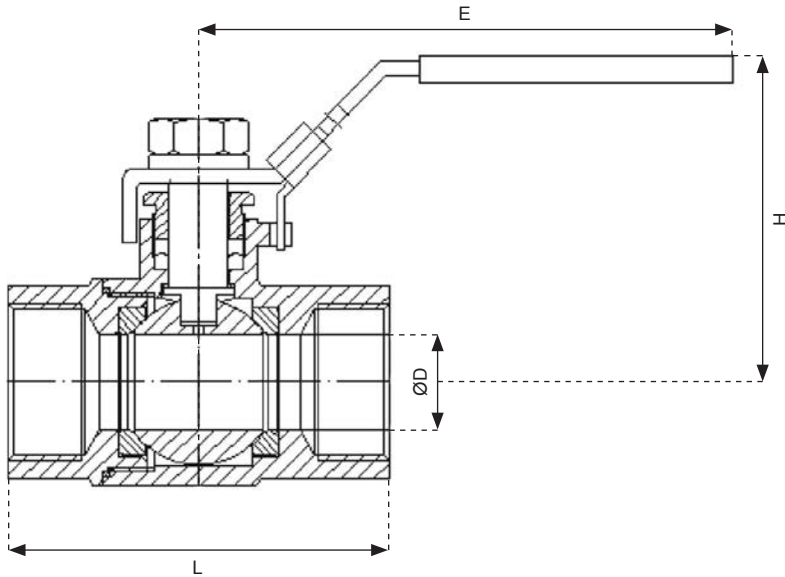
NO.	PART NAME	MATERIAL
1	Body	A351-CF8M A216-WCB
2	End Connector	A351-CF8M A216-WCB
3	Seat	RPTFE® or NOVA
4	Ball	316SS
5	Valve Body Gasket	PTFE® or NOVA
6	Thrust Ring	PTFE® or NOVA
7	Stem	316SS
8	Gland Packing	PTFE® or NOVA
9	Gland Nut	304SS
10	Handle (standard shown)	304SS
11	Stem Washer	304SS
12	Stem Nut	304SS
13	Handle Cover	Plastic

© Registered Trademark of E.I. DuPont



# ENGINEERING DATA

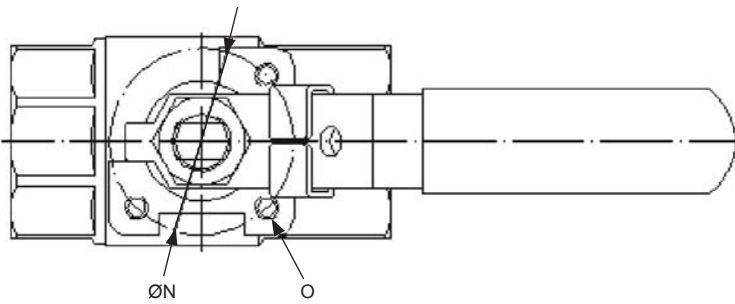
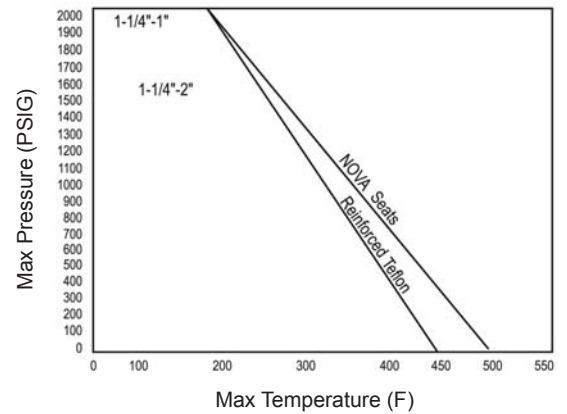
## SERIES 20-RP



SIZE	CV FACTOR	WEIGHT
1/4"	6	1.00
3/8"	6	.89
1/2"	12	1.30
3/4"	24	2.00
1"	38	2.40
1 1/4"	47	4.50
1 1/2"	82	4.50
2"	109	6.00

\*CV = GPM results in a 1 psi pressure drop

### Pressure Temperature Ratings



SIZE	ØD	L	H	E	ØN	O
1/4"	0.441	2.236	2.063	3.94	0.441	3/16-24UNC
3/8"	0.500	2.236	2.063	3.78	0.500	3/16-24UNC
1/2"	0.500	2.311	2.063	3.78	0.500	3/16-24UNC
3/4"	0.700	3.110	2.480	4.48	0.693	3/16-24UNC
1"	0.900	3.386	2.626	4.90	0.882	3/16-24UNC
1 1/4"	1.050	4.075	3.394	6.08	1.000	1/4-20UNC
1 1/2"	1.244	4.354	3.579	6.37	1.244	1/4-20UNC
2"	1.840	5.386	3.756	7.45	1.500	1/4-20UNC

\*All dimensions are in inches

# FEATURES & OPTIONS

- NACE compliant
- Standard port, two piece body
- High quality investment casting
- Blowout proof stem
- Locking stainless steel handle
- Adjustable stem packing
- Threaded ends to ANSI B1.20.1 (NPT)
- ASTM-A216 or ASTM-A351 available
- 1/4" to 1" 2000 W.O.G (PSI) design
- 1 1/4" to 2" 1500 W.O.G. (PSI) design

# ORDERING INFORMATION

Size	Series	Body	Trim	Seats	Seals	Ends	Options
1/4"	20RP	1 - Carbon Steel	1 - Carbon Steel	H - TFM	G - Grafoil	TE - Threaded Ends	O2 - Oxygen Service OH - Oval Handle
3/8"				R - Reinforced	H - TFM		
1/2"		3 - 316SS	3 - 316SS	Teflon	R - Reinforced		
3/4"				T - Teflon	Teflon		
1"		X - Special	X - Special		T - Teflon		
1 1/4"							
1 1/2"							
2"							

- 2"20RP33HGTEOH

# CROSS REFERENCE GUIDE

GVC	Apollo	Velan	Jamesbury	Nibco	Flo-Tek	Sharpe
Series 20RP	76-100	EP-2000	5H	T580	S70	54576

**PLEASE NOTE:** The above chart is to cross reference other manufacturer's valves comparable to the GVC Series 20-RP. There may be some performance variations between the GVC Series 800 and the above referenced manufacturer's designs. To ensure the longevity of performance, please provide specific information relevant to the requirements needed for each application process.



Office Local 281.463.1474  
 Fax Numbers 866.964.8536 ▪ 281.463.7735  
 8535 Jackrabbit Rd., Ste 1  
 Houston, Texas 77095  
[www.GlobalValveandControls.com](http://www.GlobalValveandControls.com)  
 866.965.8GVC (482)

