

GLOBAL

Valve & Controls

Offering a complete line of valves for your flow control needs



Series BV 2000

2000psi Unibody Economy Ball Valve

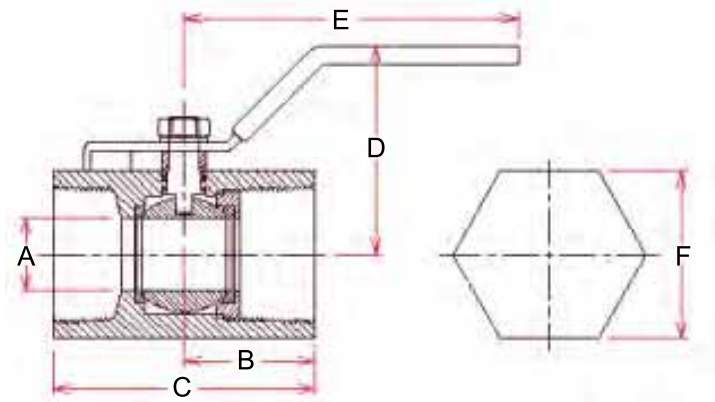
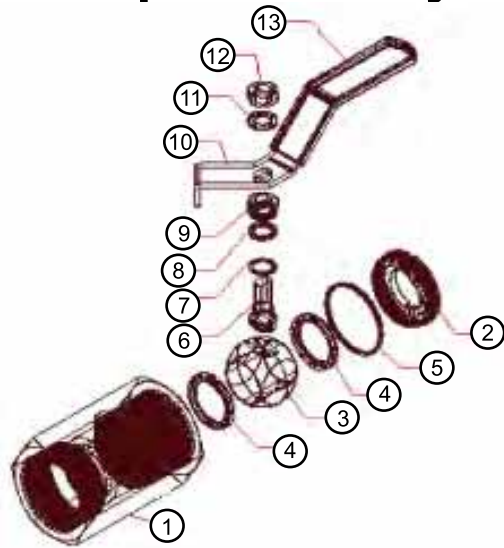
- Stainless Steel – Carbon Steel

Please visit us on the web at: www.globalvalveandcontrols.com

Information contained in this product bulletin is subject to change without notice. Please contact your sales representative for the latest available information.

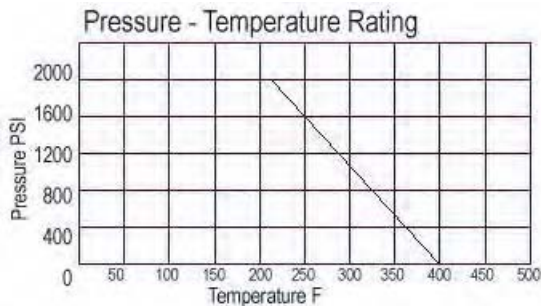
Series BV 2000

2000psi Unibody Ball Valve



	DIMENSIONS								UNITS = INCHES		
	1/4"	3/8"	1/2"	3/4"	1"	1-1/4"	1-1/2"	2"			
A	0.197	0.268	0.362	0.492	0.591	0.787	0.984	1.260			
B	0.925	1.024	1.299	1.476	1.752	1.909	1.909	2.244			
C	1.693	1.870	2.421	2.740	3.366	3.701	3.976	4.488			
D	1.299	1.378	2.362	2.520	2.638	3.110	3.150	3.583			
E	2.598	2.362	4.134	4.252	4.724	5.709	5.709	5.709			
F	0.669	0.827	1.142	1.378	1.614	2.165	2.244	2.874			

Item	Material
1	A108 Gr.1018
2	A108 Gr.1018
3	AISI 304/CF8
4	RTFE
5	RTFE
6	AISI 304
7	RTFE
8	RTFE
9	A194 Gr.8
10	AISI 304
11	AISI 304
12	A194 Gr.8
13	Plastic



FEATURES:

- Uni-Body Design
- Floating Ball
- Threads Conform to ANSI B1.20.1

Test Pressure	
Shell Test (Water)	3000 PSI
Seat Test (Water)	2200 PSI
Seat Test (Air)	85 PSI

HOW TO ORDER

Valve Size	Valve Series	Valve Body Material	Trim Material	Seats & Stem Seals	End Connections
1/4" 3/8" 1/2" 3/4" 1" 1-1/4" 1-1/2" 2"	BV2000	1 = Carbon Steel 3 = Stainless Steel	3 = Stainless Steel	R = Reinforced Teflon	TE = Threaded Ends

2"

BV2000

1

3

R

TE

GLOBAL
Valve & Controls

8535 Jackrabbit Rd Suite I
Houston TX 77095
Ph: 281-463-1474 Fax: 281-463-7735

Please visit us on the web at: www.globalvalveandcontrols.com