



GLOBAL VALVE
& CONTROLS

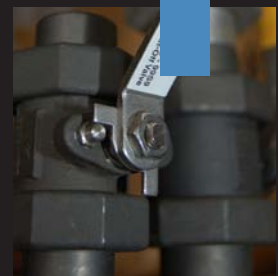


SERIES 790

DOUBLE UNION FULL PORT BALL VALVE

Carbon Steel ■ Stainless Steel

SERIES 790



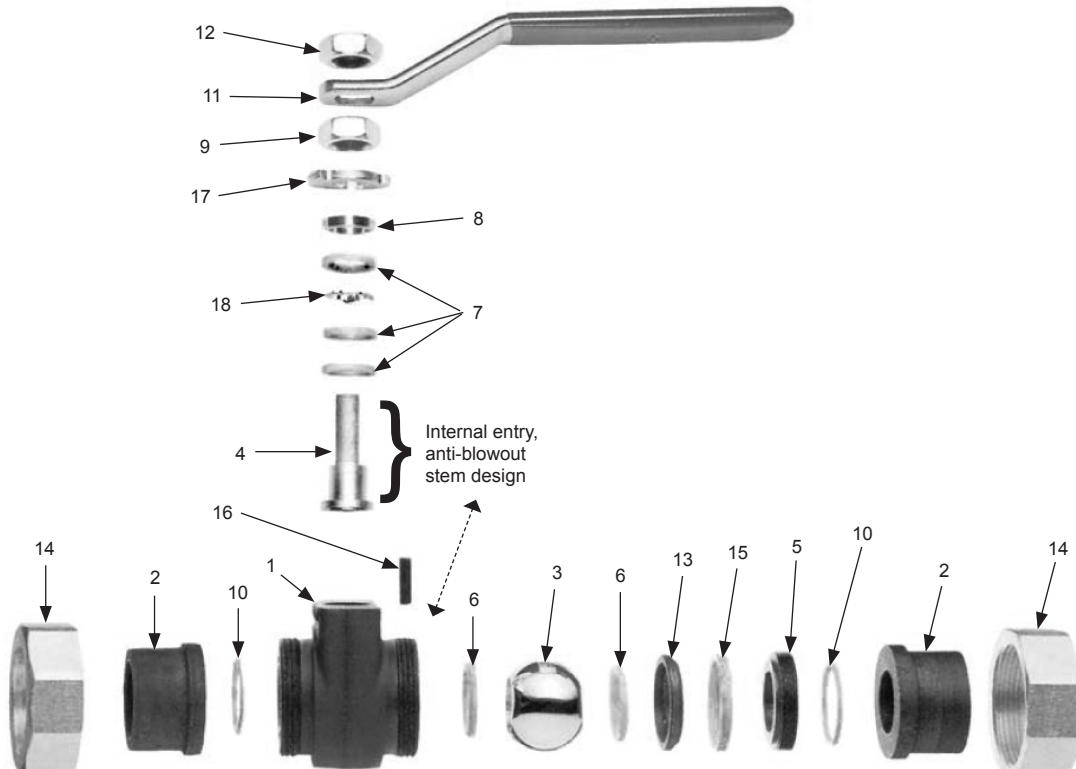
Providing Hundreds of Products. Supporting Thousands of Clients. Controlling Millions of Gallons.

Depend On Us, We Can Handle The Pressure.



MATERIALS OF CONSTRUCTION

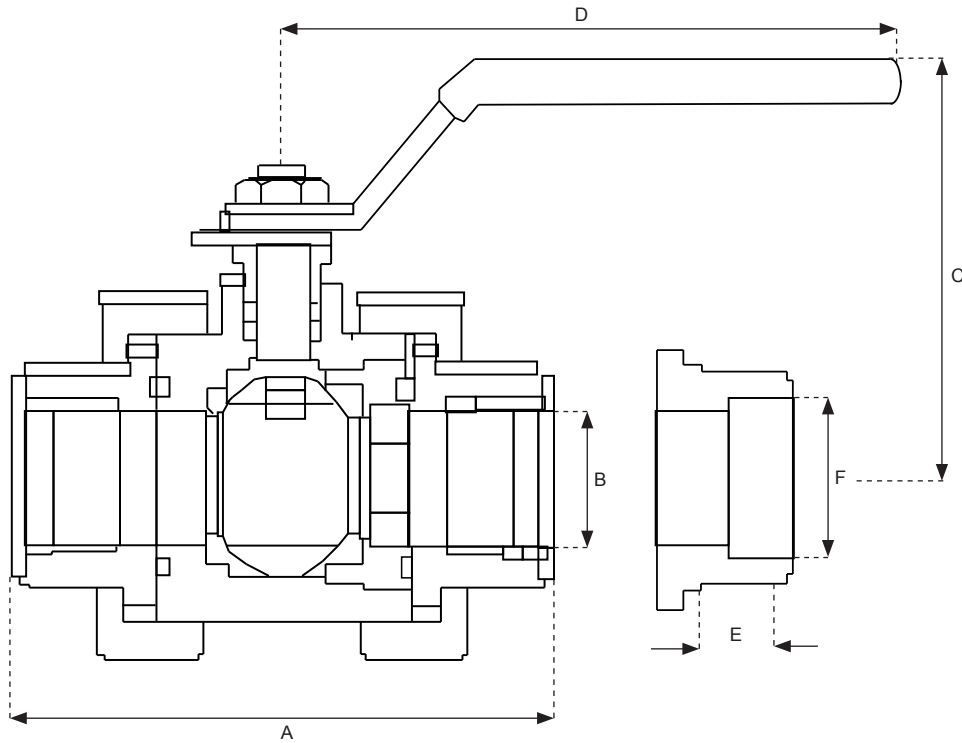
SERIES 790



NO.	PART NAME	CARBON STEEL	STAINLESS STEEL
1	Body	Carbon Steel, WCB	316 Stainless Steel, CF8M
2	Union End	Carbon Steel, WCB	316 Stainless Steel, CF8M
3	Ball	316 Stainless Steel	
4	Stem	316 Stainless Steel	
5	Threaded Spacer	Carbon Steel	316 Stainless Steel
6	Seats	TFM	
7	Stem Seal Set	TFM	
8	Gland Ring	Carbon Steel	304 Stainless Steel
9	Adjusting Nut	Carbon Steel	
10	Body Seal End Seal	TFE, Buna, Viton, TFM	
11	Handle	1/4" to 2" Carbon Steel Plastic Coated	
12	Stem Nut	Carbon Steel	
13	Seat Locket	Carbon Steel	316 Stainless Steel
14	Union Nut	A105 Carbon Steel	
15	Spacer Seal	TFE	
16	Stop Pin	Carbon Steel	
17	Travel Stop	Carbon Steel	
18	Grounding Washer	302 Stainless Steel	

ENGINEERING DATA

SERIES 790



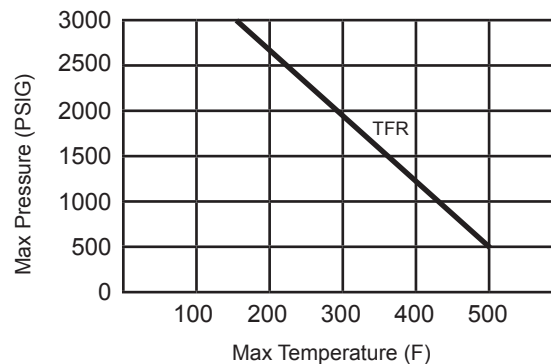
SIZE	A	B	C	D	E	F
1/4"	3.543	0.437	2.402	4.134	---	---
3/8"	3.543	0.437	2.402	4.134	---	---
1/2"	3.543	0.622	2.402	4.134	0.440	0.865
3/4"	3.701	0.807	2.756	4.941	0.560	1.075
1"	4.252	1.000	2.913	6.909	0.720	1.340
1 1/4"	4.567	1.250	3.228	7.805	0.720	1.685
1 1/2"	5.197	1.500	3.504	9.783	0.720	1.925
2"	5.669	1.969	3.819	9.783	0.840	2.416

*All dimensions are in inches

SIZE	CV FACTOR	WEIGHT
1/4"	5.5	2.0
3/8"	12	2.0
1/2"	23	3.0
3/4"	35	4.5
1"	53	5.5
1 1/4"	90	7.0
1 1/2"	127	7.0
2"	180	13.0

*CV = GPM results in a 1 psi pressure drop

Pressure Temperature Ratings



FEATURES & OPTIONS

- Double union design ends eliminate piping unions for quicker, less expensive installation and maintenance
- Rugged vinyl coated SS handle
- Carbon or stainless steel
- Wide variety of end connections available
- In-line maintenance is easily achieved through quick change out of the body section
- Full port design, 3000psi rated
- Standard TFM seats and seals
- Sizes 1/4" to 2"

ORDERING INFORMATION

Size	Series	Body	Trim	Seats	Seals	Ends	Options
1/4"	790	1 - Carbon Steel	1 - Carbon Steel	H - TFM	H - TFM	TE - Threaded Ends	O2 - Oxygen Service OH - Oval Handle
3/8"			1 - Carbon Steel	R - Reinforced Teflon	R - Reinforced Teflon		
1/2"		3 - 316SS	3 - 316SS	T - Teflon	T - Teflon		
3/4"		X - Special	X - Special				
1"							
1 1/4"							
1 1/2"							
2"							

▪ 2"79033HHTEOH

PLEASE NOTE: *There may be some performance variations between the GVC Series 790 and other manufacturer's comparable body designs. To ensure the longevity of performance, please provide specific information relevant to the requirements needed for each application process.*



Office Local 281.463.1474
 Fax Numbers 866.964.8536 ▪ 281.463.7735

8535 Jackrabbit Rd., Ste 1
 Houston, Texas 77095

www.GlobalValveandControls.com
 866.965.8GVC (482)

