



GLOBAL VALVE
& CONTROLS



SERIES 20-FP

THREADED FULL PORT BALL VALVE

Carbon Steel ■ Stainless Steel

SERIES 20-FP



Providing Hundreds of Products. Supporting Thousands of Clients. Controlling Millions of Gallons.

Depend On Us, We Can Handle The Pressure.

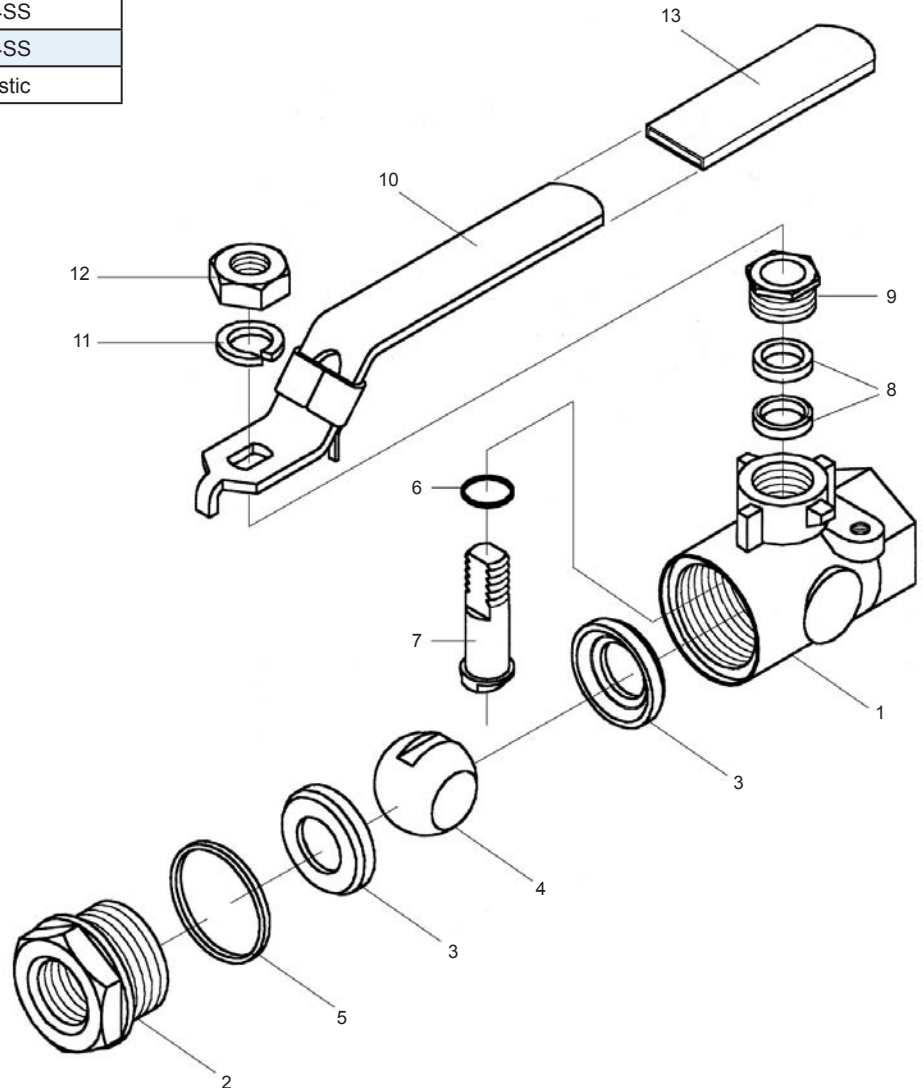


MATERIALS OF CONSTRUCTION

SERIES 20-FP

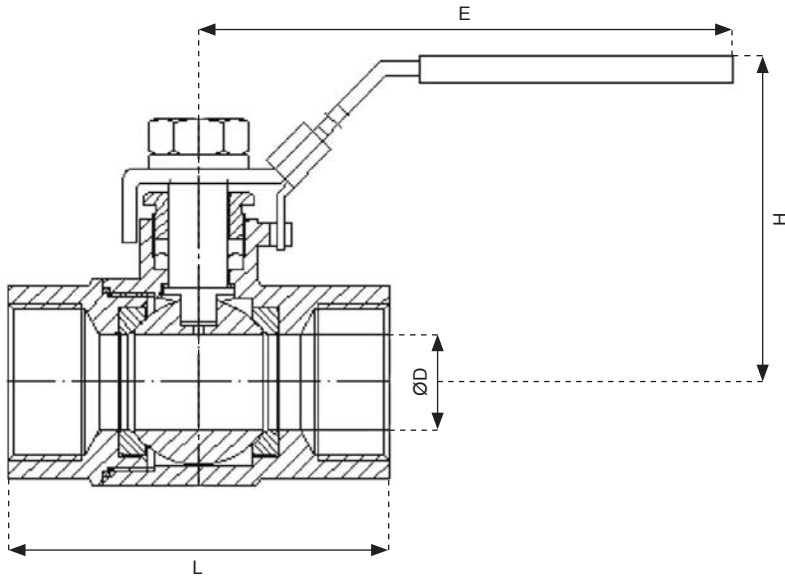
NO.	PART NAME	MATERIAL
1	Body	A351-CF8M A216-WCB
2	End Connector	A351-CF8M A216-WCB
3	Seat	RPTFE® or NOVA
4	Ball	316SS
5	Valve Body Gasket	PTFE® or NOVA
6	Thrust Ring	PTFE® or NOVA
7	Stem	316SS
8	Gland Packing	PTFE® or NOVA
9	Gland Nut	304SS
10	Handle (standard shown)	304SS
11	Stem Washer	304SS
12	Stem Nut	304SS
13	Handle Cover	Plastic

© Registered Trademark of E.I. DuPont



ENGINEERING DATA

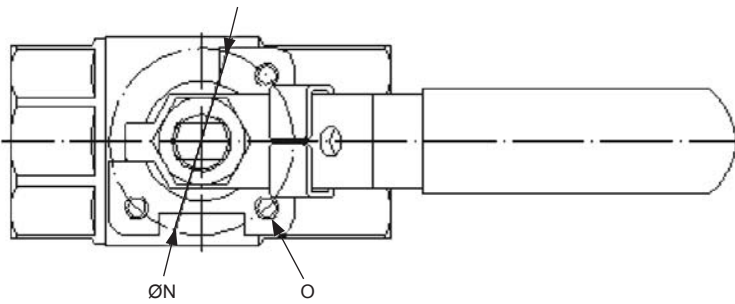
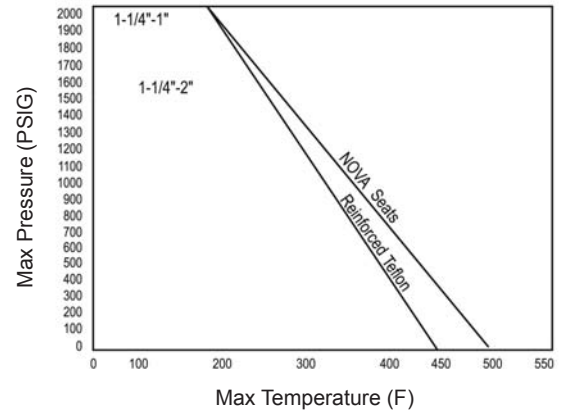
SERIES 20-FP



SIZE	CV FACTOR	WEIGHT
1/4"	6	1.00
3/8"	6	.89
1/2"	12	1.30
3/4"	36	2.40
1"	68	2.50
1 1/4"	98	5.00
1 1/2"	160	6.00
2"	210	8.00

*CV = GPM results in a 1 psi pressure drop

Pressure Temperature Ratings



SIZE	ØD	L	H	E	ØN	O
1/4"	0.441	2.236	2.063	3.94	0.441	3/16-24UNC
3/8"	0.500	2.236	2.063	3.78	0.500	3/16-24UNC
1/2"	0.500	2.311	2.063	3.78	0.500	3/16-24UNC
3/4"	0.730	3.110	2.480	5.25	0.693	3/16-24UNC
1"	1.000	3.386	2.626	6.64	0.882	3/16-24UNC
1 1/4"	1.244	4.075	3.394	7.48	1.000	1/4-20UNC
1 1/2"	1.500	3.579		7.78	1.244	1/4-20UNC
2"	2.000	5.386	3.756	7.78	1.500	1/4-20UNC

*All dimensions are in inches

FEATURES & OPTIONS

- NACE compliant
- Full port, two piece body
- High quality investment casting
- Blowout proof stem
- Locking stainless steel handle
- Adjustable stem packing
- Threaded ends to ANSI B1.20.1 (NPT)
- ASTM-A216 or ASTM-A351 available
- 1/4" to 1" 2000 W.O.G (PSI) design
- 1 1/4" to 2" 1500 W.O.G. (PSI) design

ORDERING INFORMATION

Size	Series	Body	Trim	Seats	Seals	Ends	Options
1/4"	20FP	1 - Carbon Steel	1 - Carbon Steel	H - TFM	G - Grafoil	TE - Threaded Ends	O2 - Oxygen Service OH - Oval Handle FS - Firesafe Design
3/8"			1 - Carbon Steel	N - NOVA	H - TFM		
1/2"		3 - 316SS	3 - 316SS	R - Reinforced Teflon	N - NOVA		
3/4"			3 - 316SS	R - Reinforced Teflon	R - Reinforced Teflon		
1"		X - Special	X - Special	T - Teflon	T - Teflon		
1 1/4"							
1 1/2"							
2"							

- 2"20FP33HGTEOH

PLEASE NOTE: *There may be some performance variations between the GVC Series 20-FP and other manufacturer's comparable body designs. To ensure the longevity of performance, please provide specific information relevant to the requirements needed for each application process.*



Office Local 281.463.1474
 Fax Numbers 866.964.8536 ▪ 281.463.7735

8535 Jackrabbit Rd., Ste 1
 Houston, Texas 77095

www.GlobalValveandControls.com
 866.965.8GVC (482)

