



GLOBAL VALVE  
& CONTROLS

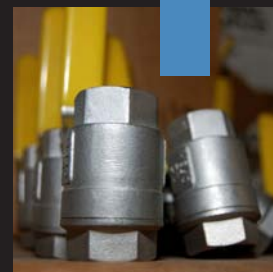


## SERIES 10

### THREADED FULL PORT BALL VALVE

Carbon Steel ■ Stainless Steel

SERIES 10



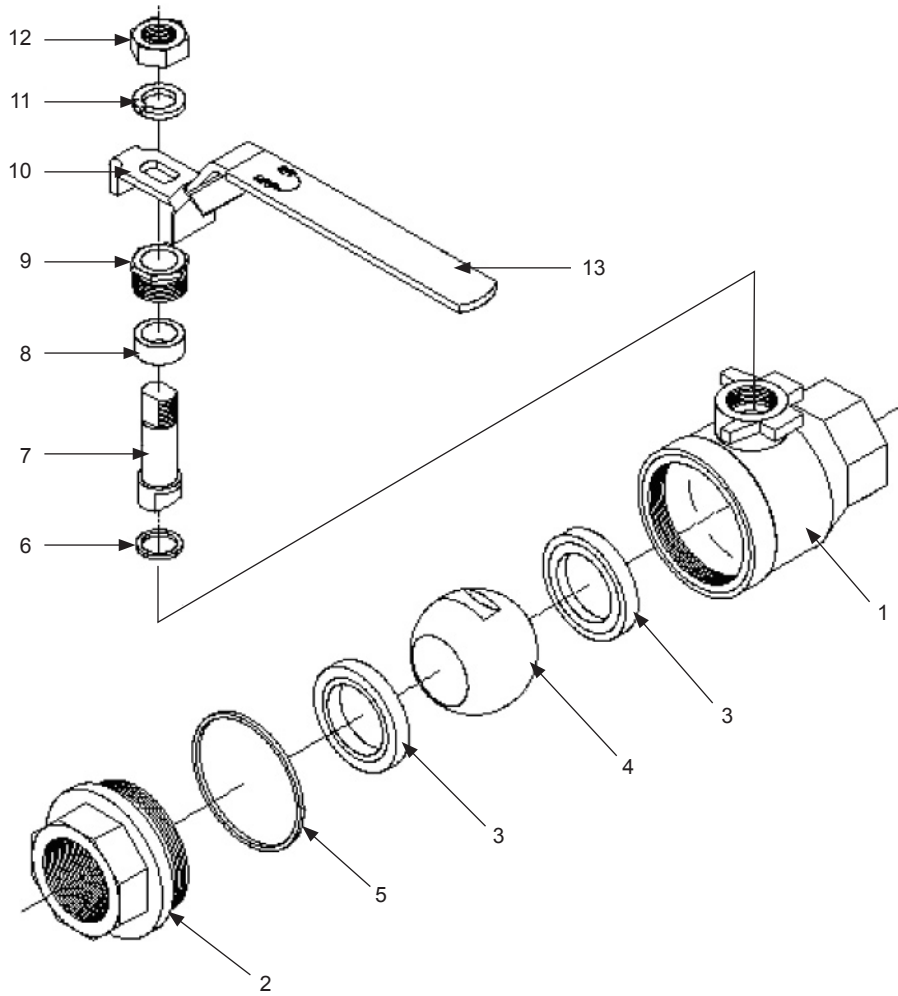
Providing Hundreds of Products. Supporting Thousands of Clients. Controlling Millions of Gallons.

Depend On Us, We Can Handle The Pressure.



# MATERIALS OF CONSTRUCTION

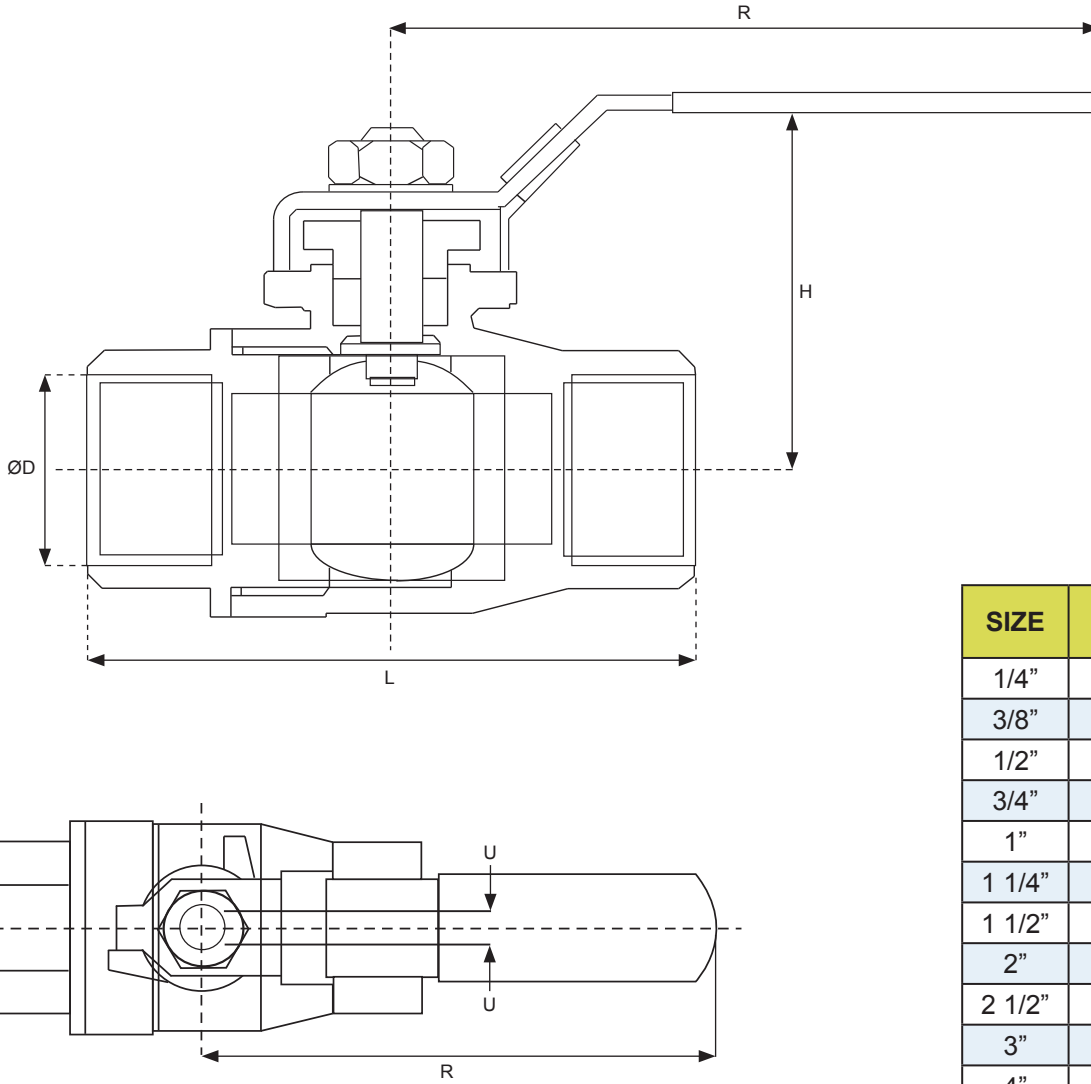
## SERIES 10



NO.	PART NAME	MATERIAL
1	Body	CF8M/WCB
2	End Connector	CF8M/WCB
3	Seat	Reinforced Teflon®/Teflon®
4	Ball	316SS
5	Valve Body Gasket	Teflon®
6	Thrust Ring	PTFE®
7	Stem	316SS
8	Gland Packing	PTFE®
9	Gland	304SS
10	Handle (standard shown)	304SS
11	Stem Washer	304SS
12	Stem Nut	304SS
13	Handle Cover	Plastic

© Registered Trademark of E.I. DuPont

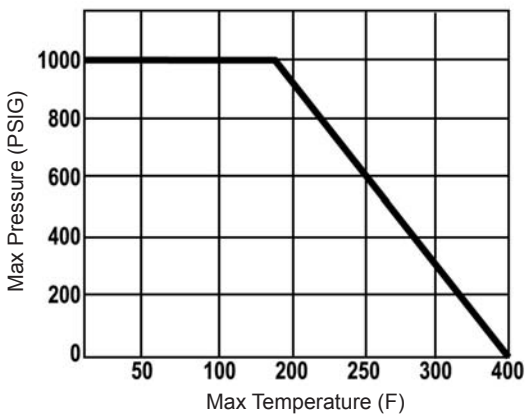
# ENGINEERING DATA SERIES 10



SIZE	CV FACTOR	WEIGHT
1/4"	13	0.54
3/8"	25	0.52
1/2"	34	0.65
3/4"	61	1.10
1"	96	1.92
1 1/4"	128	2.85
1 1/2"	197	4.44
2"	400	7.08
2 1/2"	460	17.0
3"	510	22.0
4"	605	43.0

\*CV = GPM results in a 1 psi pressure drop

## Pressure Temperature Ratings



SIZE	ØD	L	H	R	U
1/4"	0.457	2.008	1.811	4.016	0.197
3/8"	0.500	2.008	1.811	4.016	0.197
1/2"	0.591	2.343	1.890	4.016	0.197
3/4"	0.787	2.795	2.047	5.000	0.256
1"	1.000	3.307	2.441	5.748	0.315
1 1/4"	1.260	3.839	2.559	5.748	0.315
1 1/2"	1.496	4.311	2.953	7.520	0.382
2"	2.000	5.256	3.228	7.520	0.382
2 1/2"	2.500	6.600	---	7.520	---
3"	3.000	7.580	---	12.000	---
4"	4.000	9.000	---	13.000	---

\*All dimensions are in inches

# FEATURES & OPTIONS

- Full port, two piece body design
- Carbon steel and stainless steel design
- High quality investment casting
- Blowout proof stem
- NACE MR0175 compliant
- Locking stainless steel handle
- Adjustable stem packing
- Threaded ends to ANSI B1.20.1 (NPT)
- 1000 W.O.G (PSI) design

# ORDERING INFORMATION

Size		Series	Body	Trim	Seats	Seals	Ends	Options
1/4"	1 1/2"	10	1 - Carbon Steel 3 - 316SS X - Special	3 - 316SS X - Special	H - TFM R - Reinforced Teflon T - Teflon	H - TFM R - Reinforced Teflon T - Teflon	TE - Threaded Ends	O2 - Oxygen Service OH - Oval Handle
3/8"	2"							
1/2"	2 1/2"							
3/4"	3"							
1"	3 1/2"							
1 1/4"	4"							

- 2"1033RRTEOH

# CROSS REFERENCE GUIDE

GVC	Velan	Jamesbury	SVF	Flo-Tek	Sharpe	Watts
Series 10	VEE-2000	6F	BEV	S85	50876	S-FBV

**PLEASE NOTE:** The above chart is to cross reference other manufacturer's valves comparable to the GVC Series 10. There may be some performance variations between the GVC Series 10 and the above referenced manufacturer's designs. To ensure the longevity of performance, please provide specific information relevant to the requirements needed for each application process.



Office Local 281.463.1474  
 Fax Numbers 866.964.8536 ▪ 281.463.7735

8535 Jackrabbit Rd., Ste 1  
 Houston, Texas 77095

[www.GlobalValveandControls.com](http://www.GlobalValveandControls.com)  
 866.965.8GVC (482)

