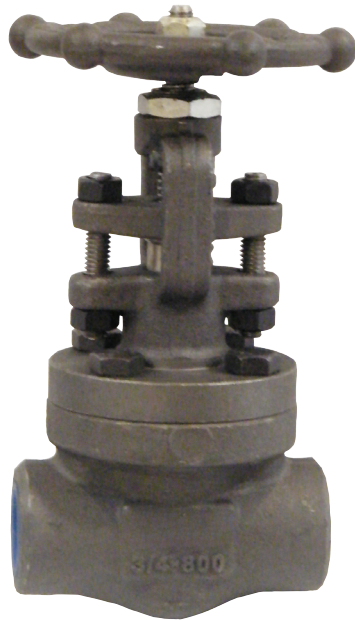




GLOBAL VALVE
& CONTROLS



SERIES F-4

FORGED STEEL GLOBE VALVE CLASS 800 / 1500

Carbon Steel • Stainless Steel

SERIES F-4



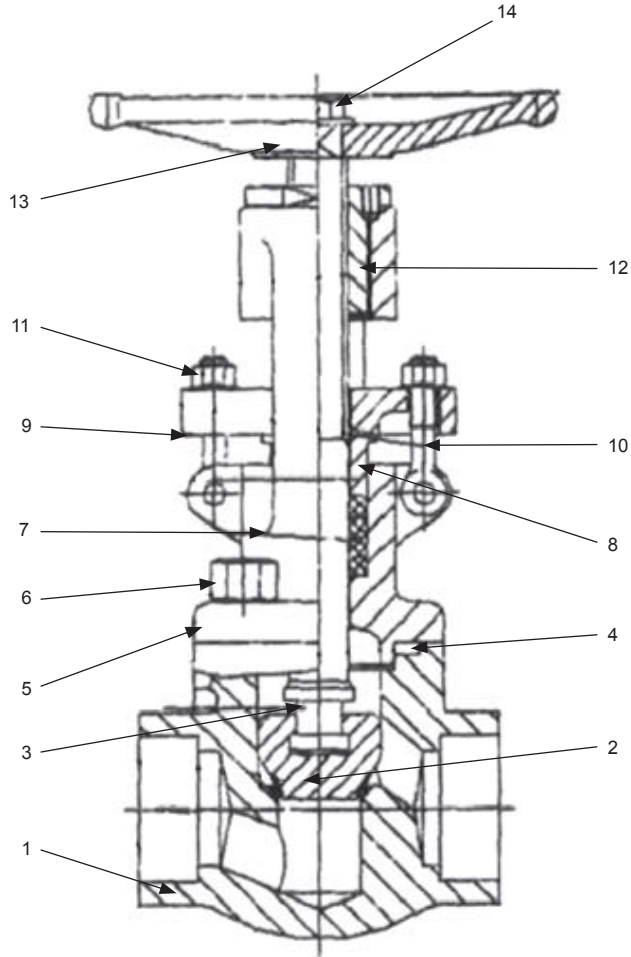
Providing Hundreds of Products. Supporting Thousands of Clients. Controlling Millions of Gallons.

Depend On Us, We Can Handle The Pressure.



MATERIALS OF CONSTRUCTION

SERIES F-4 CLASS 800 / 1500

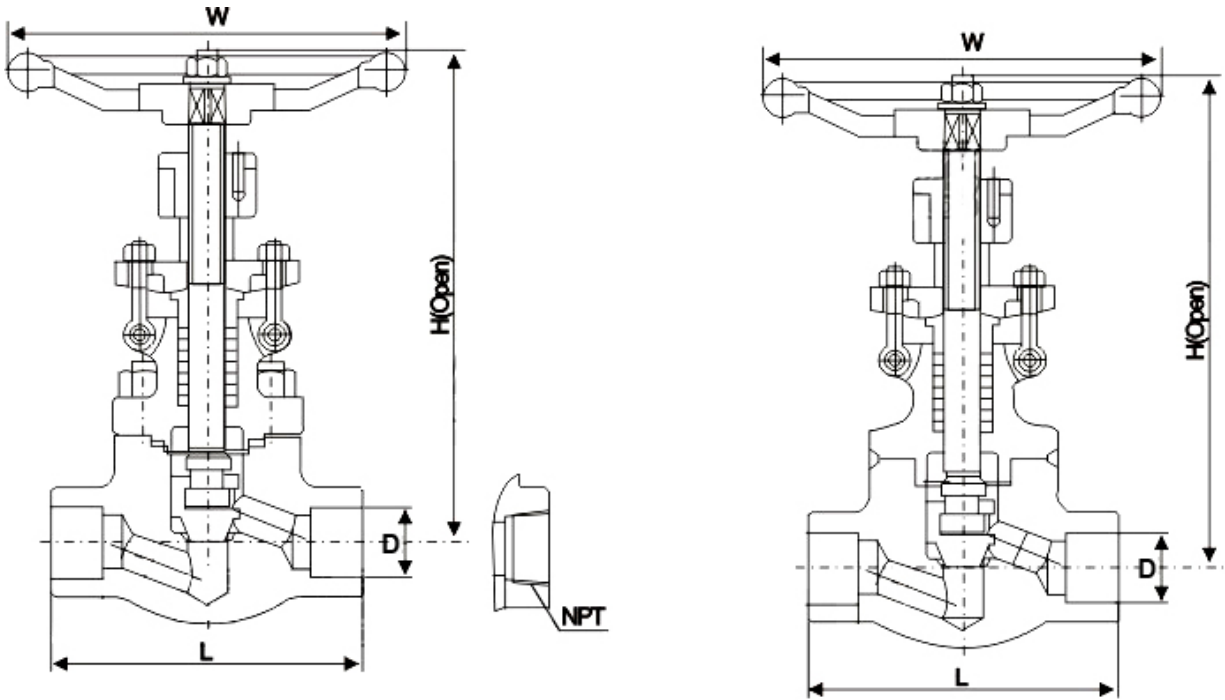


NO.	PART NAME	MATERIAL
1	Body	ASTM A105, A182 F304, A182 F316
2	Disc	F6 (Stellite Optional), A182 F304, A182 F316
3	Stem	F6, A182 F304, A182 F316
4	Gasket	Graphite+304, Graphite+316
5	Bonnet	ASTM A105, A182 F304, A182 F316
6	Bonnet Bolt	ASTM A193 B7
7	Stem Packing	Reinforced Graphite
8	Gland	ASTM A276 410, A182 F304, A182 F316
9	Gland Flange	ASTM A105, A182 F304, A182 F316
10	Gland Eyebolt	ASTM A193 B7, ASTM A193 B8
11	Gland Nut	ASTM A194 2H, ASTM A194 B8
12	Stem Nut	ASTM A1108 1020, ASTM A216 410
13	Handwheel	ASTM A197
14	Handwheel Lock Nut	ASTM A194 2H, ASTM A194 B8

Other materials are available upon request

ENGINEERING DATA

SERIES F-4 CLASS 800 / 1500



SIZE		D (SOCKET)		L	W	H (OPEN)	WEIGHT (LBS)
Regular	Full	Regular	Full				
1/4"	-	0.55	-	3.11	3.94	6.02	4.2
3/8"	1/4"	0.69	0.55	3.11	3.94	6.02	4.6
1/2"	3/8"	0.86	0.69	3.11	3.94	6.22	4.6
3/4"	1/2"	1.07	0.86	3.62	3.94	7.55	5.1
1"	3/4"	1.33	1.07	4.37	4.92	9.92	9.3
1 1/4"	1"	1.68	1.33	4.72	6.30	9.92	13.7
1 1/2"	1 1/4"	1.92	1.68	5.98	6.30	11.38	17.2
2"	1 1/2"	2.41	1.92	6.77	7.08	12.99	27.1
-	2"	-	2.41	7.87	7.87	14.57	37.5

*All dimensions are in inches

FEATURES & OPTIONS

- Disc and stem connection designed for regulated flow
- Bolted or welded bonnet design
- Bolted bonnets have a spiral wound gasket made of stainless steel and graphite
- Stem seal consists of flexible graphite packing with anti-extrusion rings for optimum stem sealing
- Conventional port or full port
- Socket weld ends to ASME B16.11
- Threaded ends to ANSI/ASME B1.20.1 (NPT)
- Rugged and knobbed handwheel provides positive grip
- Available in carbon steel, stainless steel, and other materials
- Conformed to API 602 and BS5352
- Tested in accordance with API598, and marked per MSS SP25

ORDERING INFORMATION

Size	Series	Body	Trim	Pressure Rating	Ends	Special
1/4"	FX-4	1 - A105	5 - FHF/410	80 - 800	3 - Socket Weld	X - Special
3/8"	Full Port	2 - Alloy 20	8 - HF/410	51 - 1500	4 - Threaded Ends	
1/2"	or	3 - 316SS	9 - Monel		5 - SWxThrd	
3/4"	F-4	4 - 304SS	10 - 316			
1"	Regular Port	5 - Monel	11 - HF/Monel			
1 1/4"		X - Special	12 - HF/316			
1 1/2"			13 - Alloy 20			
2"			14 - HF/A20			
			15 - FHF/304			
			16 - FHF/316			
			18 - FHF/A20			
			X - Special			

PLEASE NOTE: *There may be some performance variations between the GVC Series FS-4 and other manufacturer's comparable body designs. To ensure the longevity of performance, please provide specific information relevant to the requirements needed for each application process.*



Office Local 281.463.1474
 Fax Numbers 866.964.8536 ← 281.463.7735

8535 Jackrabbit Rd., Ste I
 Houston, Texas 77095



www.GlobalValveandControls.com
 866.965.8GVC (482)