



GLOBAL VALVE  
& CONTROLS

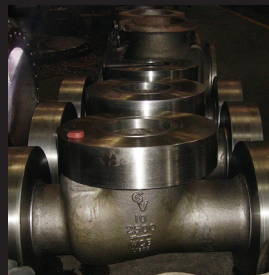


SERIES CK

## SERIES CK - CHECK VALVE

ANSI CLASS 150-2500

WCB • CF8M • Various Other Materials



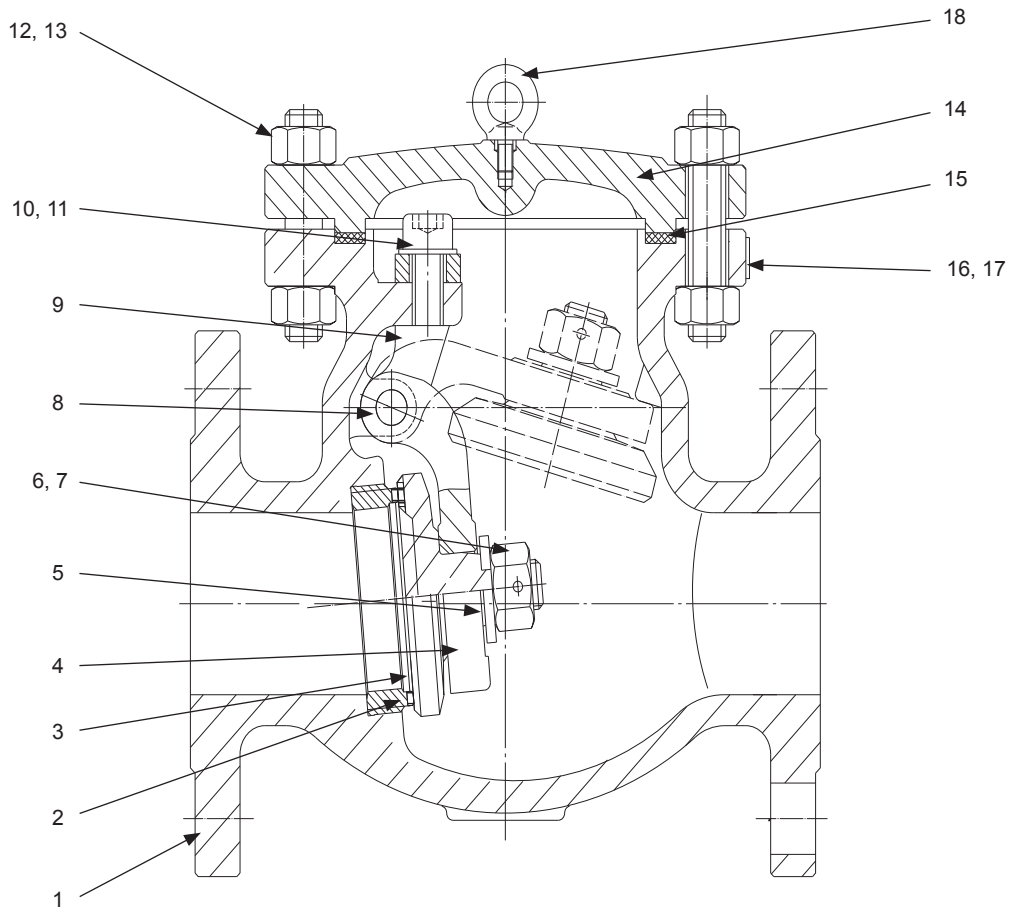
Providing Hundreds of Products. Supporting Thousands of Clients. Controlling Millions of Gallons.

Depend On Us, We Can Handle The Pressure.



# MATERIALS OF CONSTRUCTION

## SERIES CK



	PART NAME	MATERIAL
1	Body	A216 WCB / LCB / CF8M / A352 / A217
2	Seat	A105+Stellite / Alloy 20 / CF8M / CF8
3	Disc	A105+F6 / Alloy 20 / Stainless Steel+STL / W6+STL
4	Hinge	A216 WCB / Alloy 20 / CF8M
5	Washer	A276-410
6	Nut	A194 8
7	Clip	321
8	Pin	A182-F6a
9	Yoke	A216 WCB
10	Hex Screw	A193 B8
11	Washer	A140
12	Bolt	A193 B7M
13	Hex Nut	A194 2HM
14	Cover	A216 WCB
15	Gasket	Graphite+304 / Teflon
16	Nameplate	SS304
17	Rivet	H62
18	Screw	1025

### Manufacturing & Testing Standards

Wall Thickness / Basic Design	API 600 / BS1868
Face to Face	ASME B16.10
End Flanges	ASME B16.5
Inspection and Test	API 598
Butt Welding Ends	ASME B16.25

## CLASS 150

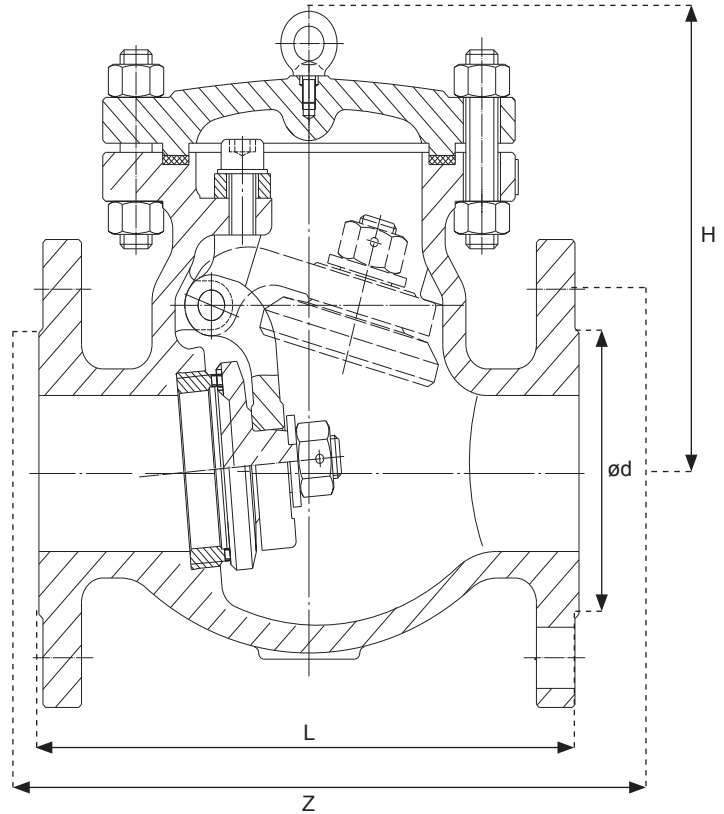
Size	ød	L	H	Z (RTJ)	Approx. Weight
2"	2	8	6.7	8.5	30
2½"	2.5	8.5	7	9	36
3"	3	9.5	7.7	10	41
4"	4	11.5	8.5	12	65
6"	6	14	10.6	14.5	115
8"	8	19.5	12.4	20	220
10"	10	24.5	14.2	25	335
12"	12	27.5	15.8	28	580
14"	13.25	31	18.15	31.05	--
16"	15.25	36	19.3	34.05	--

units in mm

## CLASS 300

Size	ød	L	H	Z (RTJ)	Approx. Weight
2"	2	10.5	6.85	11.13	39 lbs
2½"	2.5	11.5	7	12.13	45 lbs
3"	3	12.5	8.7	13.13	75 lbs
4"	4	14	9.3	14.63	145 lbs
6"	6	17.5	12.2	18.13	255 lbs
8"	8	21	13.7	21.63	420 lbs
10"	10	24.5	15	25.13	610 lbs
12"	12	28	16.85	28.63	860 lbs
14"	13.25	33	19	33.62	--
16"	15.25	34	21	34.62	--

units in mm



• Series CK Valves ANSI Class 2500 are available. For additional information please contact GVC.

## CLASS 600

Size	ød	L	H	Z (RTJ)	Approx. Weight
2"	2	11.5	8	11.63	50 lbs
2½"	2.5	13	8.27	13.13	57 lbs
3"	3	14	9.25	14.13	99 lbs
4"	4	17	11.25	17.13	175 lbs
6"	6	22	13	22.13	500 lbs
8"	7.88	26	15	26.13	840 lbs
10"	9.75	31	18	31.13	1050 lbs
12"	11.75	33	23	33.13	1340 lbs
14"	12.87	35	25	35.12	-
16"	14.75	39	27.3	39.12	-

units in mm

## CLASS 900

Size	ød	L	H	Z (RTJ)	Approx. Weight
2"	2	14.5	8.25	14.63	115 lbs
3"	3	15	6.63	15.13	150 lbs
4"	4	18	10	18.13	260 lbs
6"	6	24	12	24.13	480 lbs
8"	8	29	13.56	29.13	1350 lbs
10"	10	33	17.25	33.13	1740 lbs
12"	12	38	20.25	38.13	2280 lbs
14"	13.25	40.5	23	40.90	-
16"	15.25	44.5	22	44.89	-

units in mm

## CLASS 1500

Size	ød	L	H	Z (RTJ)
2"	2	14.5	8.25	14.63
3"	3	18.5	9.63	18.63
4"	4	21.5	11.25	21.63
6"	6	27.75	12	28
8"	8	32.75	15.25	33.13
10"	10	39	19.69	39.38
12"	12	44.5	24.38	45.13
14"	13.25	49.5	23	-
16"	15.25	54.5	-	-

units in mm

# FEATURES & OPTIONS

- Cast steel bolt body swing check.
- Arm design hydrofoil profile for heavy balanced weight insure the disc goes to seat immediately upon cessation of flow and minimizes water hammer.
- ANSI Class 150-2500.
- Flanged ends to Raised Face, RTJ and and butt weld ends.
- Bolted design / with spherical form with large radius, which permits the stress to be kept to a minimum.
- WCB, CF8M, and various other alloys available.
- Horizontal or vertical design.
- Welded seat design to prevent any turbulence and damage by corrosion.

# ORDERING INFORMATION

Size	Series	Class	Body	Seat / Disc (API 600 Trim)	End Connections	Special
2" 2 1/2" 3" 4" 6" 8" 10" 12" 14" 16" 18" 20"	CK	15 - 150 30 - 300 60 - 600 90 - 900 51 - 1500 25 - 2500	1 - Carbon Steel 2 - Alloy 20 3 - Stainless Steel LC = LCB - A352 X - Special	5 - Hardfaced & Stellite 8 - 410 & Hardfaced 10 - 316 SS 12 - 316 & Hardfaced X - Special	1 - RF - Raised Face 2 - RTJ - Ring Type Joint 3 - BW - Butt Weld Ends	X - Special

- 2" CK60-1-5-1

**PLEASE NOTE:** *There may be some performance variations between the GVC Series CK and other manufacturer's comparable body designs. To ensure the longevity of performance, please provide specific information relevant to the requirements needed for each application process.*



Office Local 281.463.1474  
 Fax Numbers 866.964.8536 ← 281.463.7735

8535 Jackrabbit Rd., Ste I  
 Houston, Texas 77095



[www.GlobalValveandControls.com](http://www.GlobalValveandControls.com)  
 866.965.8GVC (482)