



GLOBAL VALVE & CONTROLS

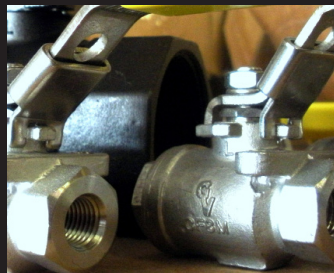


SERIES 20-RP

# SERIES 20-RP

## THREADED REDUCED PORT BALL VALVE

Carbon Steel • Stainless Steel



Providing Hundreds of Products. Supporting Thousands of Clients. Controlling Millions of Gallons.

Depend On Us, We Can Handle The Pressure.

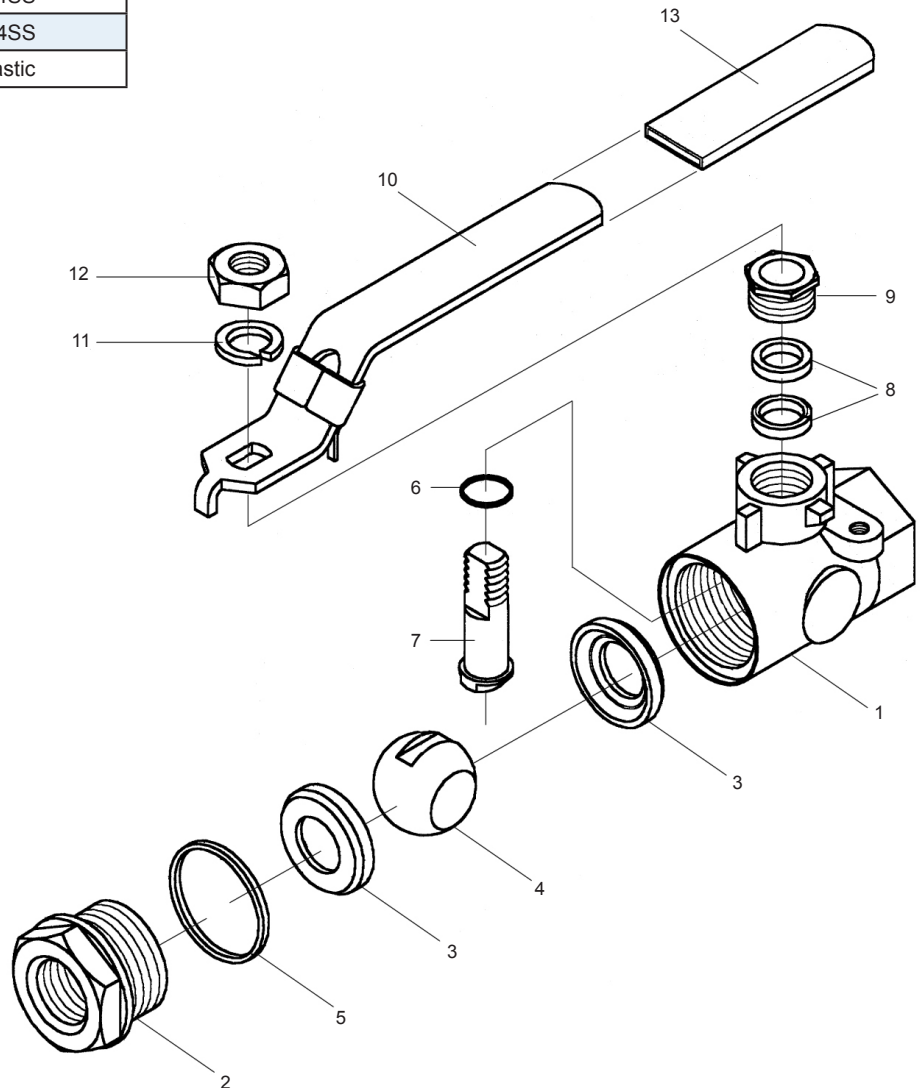


# MATERIALS OF CONSTRUCTION

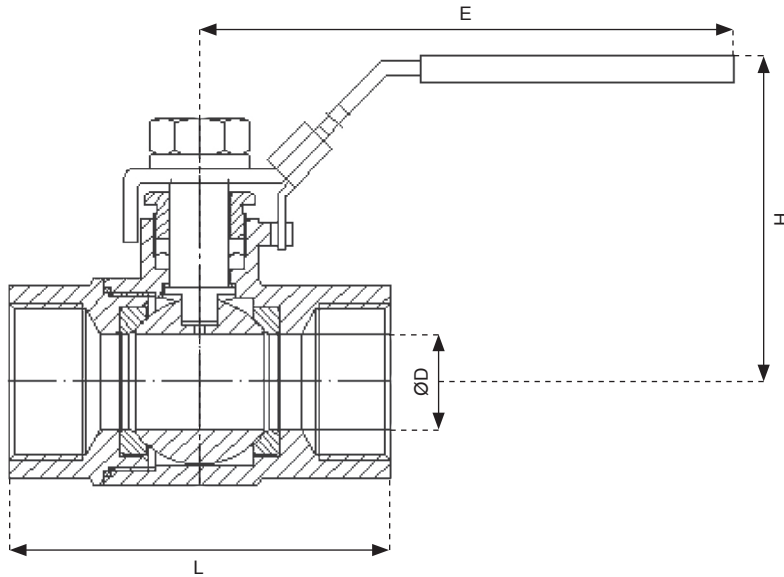
## SERIES 20-RP

NO.	PART NAME	MATERIAL
1	Body	A351-CF8M A216-WCB
2	End Connector	A351-CF8M A216-WCB
3	Seat	RPTFE® or NOVA
4	Ball	316SS
5	Valve Body Gasket	PTFE® or NOVA
6	Thrust Ring	PTFE® or NOVA
7	Stem	316SS
8	Gland Packing	PTFE® or NOVA
9	Gland Nut	304SS
10	Handle (standard shown)	304SS
11	Stem Washer	304SS
12	Stem Nut	304SS
13	Handle Cover	Plastic

® Registered Trademark of E.I. DuPont



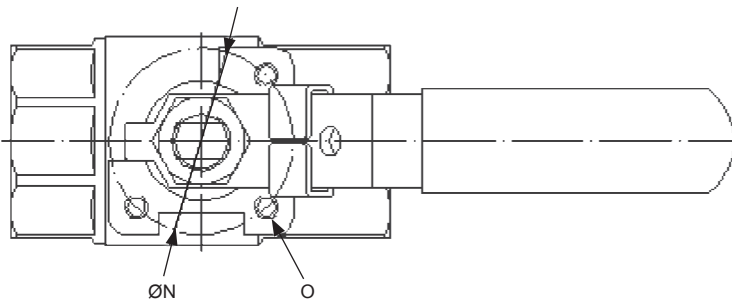
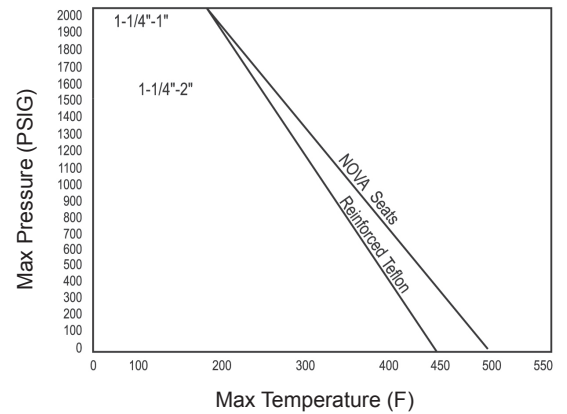
# ENGINEERING DATA SERIES 20-RP



SIZE	CV FACTOR	WEIGHT
1/4"	6	1.00
3/8"	6	.89
1/2"	12	1.30
3/4"	24	2.00
1"	38	2.40
1 1/4"	47	4.50
1 1/2"	82	4.50
2"	109	6.00

\*CV = GPM results in a 1 psi pressure drop

## Pressure Temperature Ratings



SIZE	ØD	L	H	E	ØN	O
1/4"	0.441	2.236	2.063	3.94	0.441	3/16-24UNC
3/8"	0.500	2.236	2.063	3.78	0.500	3/16-24UNC
1/2"	0.500	2.311	2.063	3.78	0.500	3/16-24UNC
3/4"	0.700	3.110	2.480	4.48	0.693	3/16-24UNC
1"	0.900	3.386	2.626	4.90	0.882	3/16-24UNC
1 1/4"	1.050	4.075	3.394	6.08	1.000	1/4-20UNC
1 1/2"	1.244	4.354	3.579	6.37	1.244	1/4-20UNC
2"	1.840	5.386	3.756	7.45	1.500	1/4-20UNC

\*All dimensions are in inches

# FEATURES & OPTIONS

- NACE compliant
- Standard port, two piece body
- High quality investment casting
- Blowout proof stem
- Locking stainless steel handle
- Adjustable stem packing
- Threaded ends to ANSI B1.20.1 (NPT)
- ASTM-A216 or ASTM-A351 available
- 1/4" to 1" 2000 W.O.G (PSI) design
- 1 1/4" to 2" 1500 W.O.G. (PSI) design

# ORDERING INFORMATION

Size	Series	Body	Trim	Seats	Seals	Ends	Options		
1/4"	20RP	1 - Carbon Steel	1 - Carbon Steel	H - TFM	G - Grafoil	TE - Threaded Ends	O2 - Oxygen Service OH - Oval Handle		
3/8"			1 - Carbon Steel	R - Reinforced Teflon	H - TFM				
1/2"		3 - 316SS	3 - 316SS	T - Teflon	R - Reinforced Teflon				
3/4"			X - Special	X - Special	T - Teflon	T - Teflon			
1"		1 1/4"	1 1/2"	2"					
1 1/4"									
1 1/2"									
2"									

- 2"20RP33HGTEOH



DEPEND ON US. WE CAN HANDLE THE PRESSURE.

[www.GVCINTL.com](http://www.GVCINTL.com)

8535 JACKRABBIT RD, SUITE I  
HOUSTON, TX 77095

1-866-965-8GVC<sup>(482)</sup>

281-463-1474 Office  
281-463-7735 Fax



TRADEMARKED PRODUCTS OF  
**GLOBAL**  
Valve & Controls